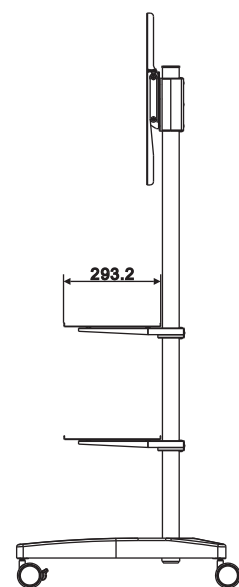
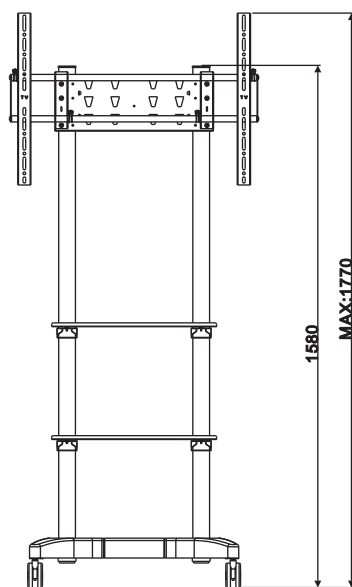
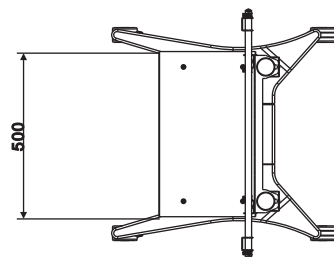
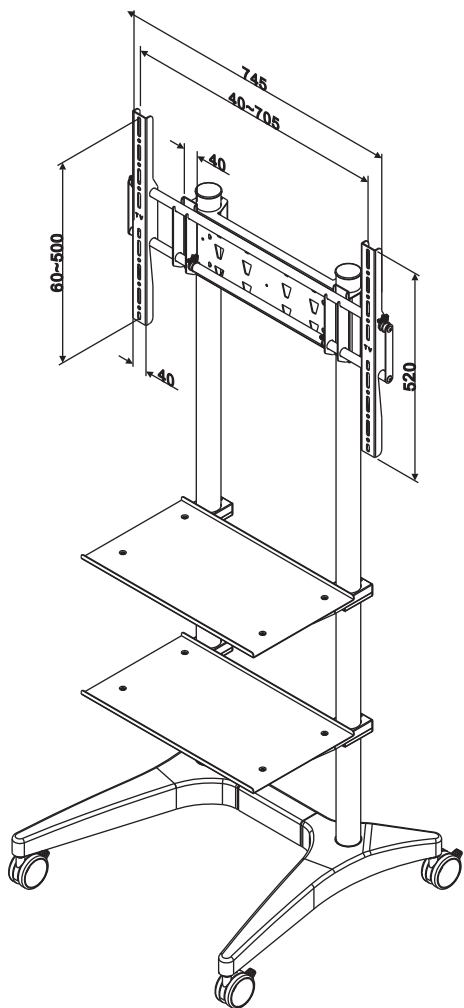


# Mobile Mounts

## Specification

**\*Strong loading up to 80 kgs LCD TV.**



Unit:mm

## Parts List

### MAIN PARTS

ITEM	1	2	3	4	5	6	7	8	9	10	11	12	13	14	15	16	17
PARTS																	
QTY	1	1	4	4	2	4	10	2	2	2	8	10	4	2	2	2	2

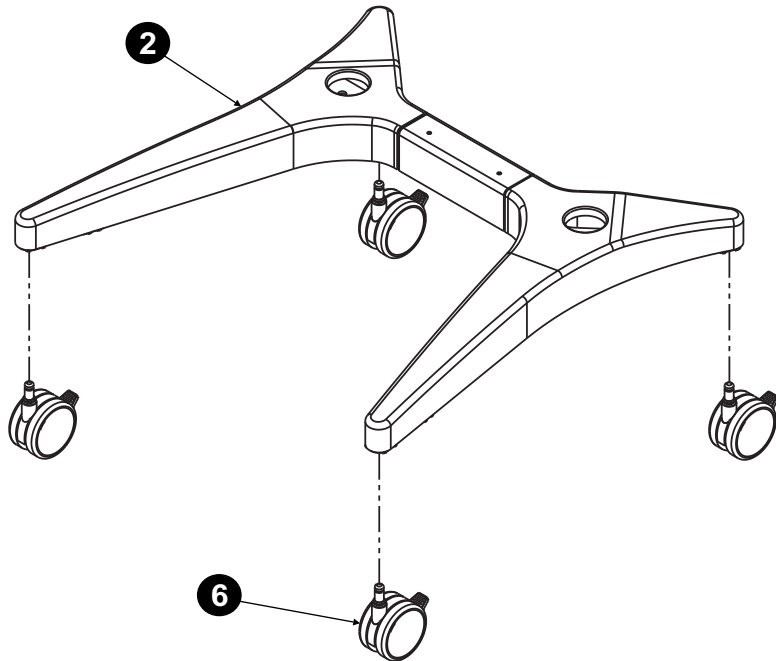
### PARTS FOR TV BRACKETS

ITEM	18	19	20	12	21	22	23	24	25	26	27	28
PARTS												
	M4X30	M5X15	M5X30	M6x15	M6x30	M8x15	M8X40	φ11Xd4	φ24Xd8			M6
QTY	4	4	4	4	4	4	4	4	4	8	8	1

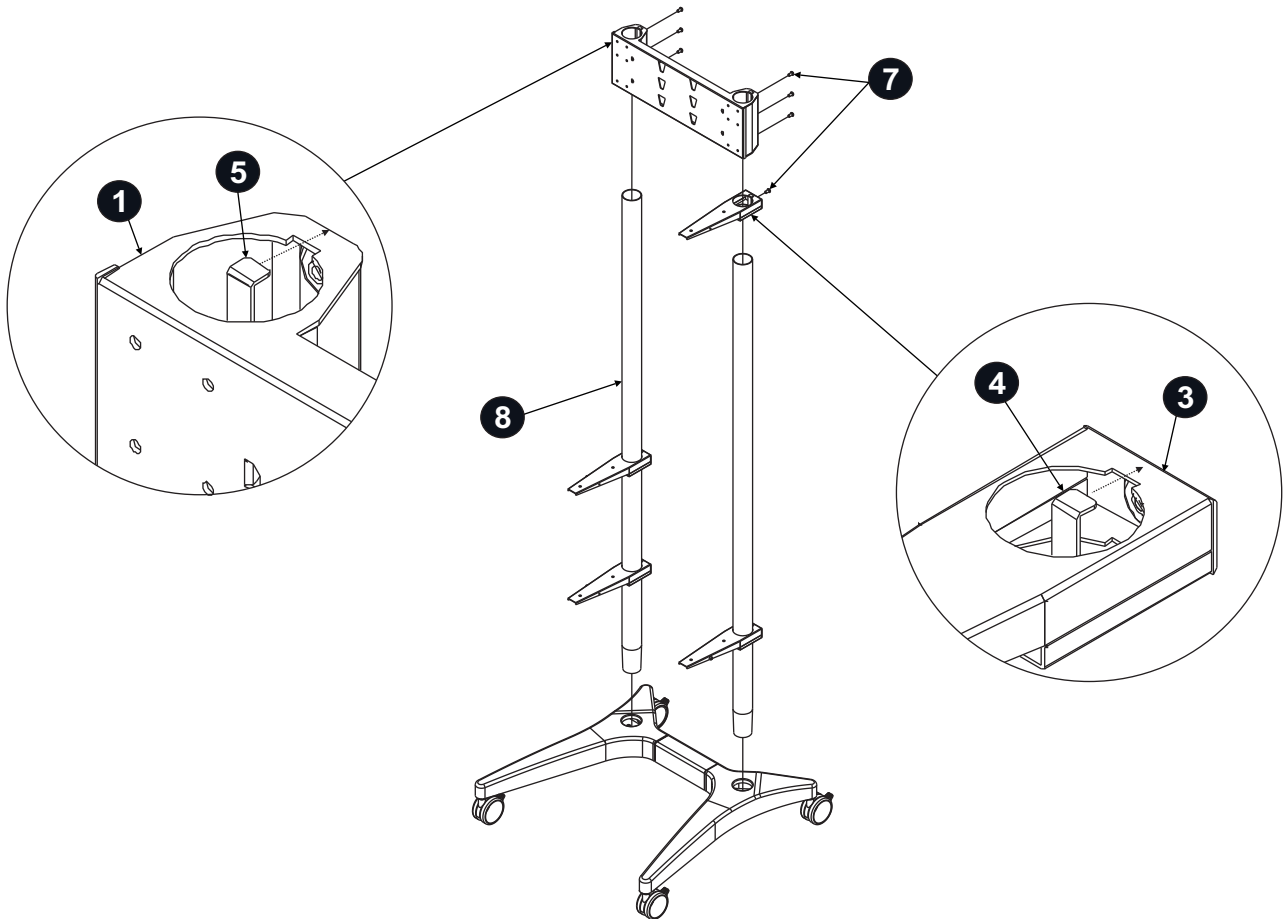
# Mobile Mounts

## Installation

I.



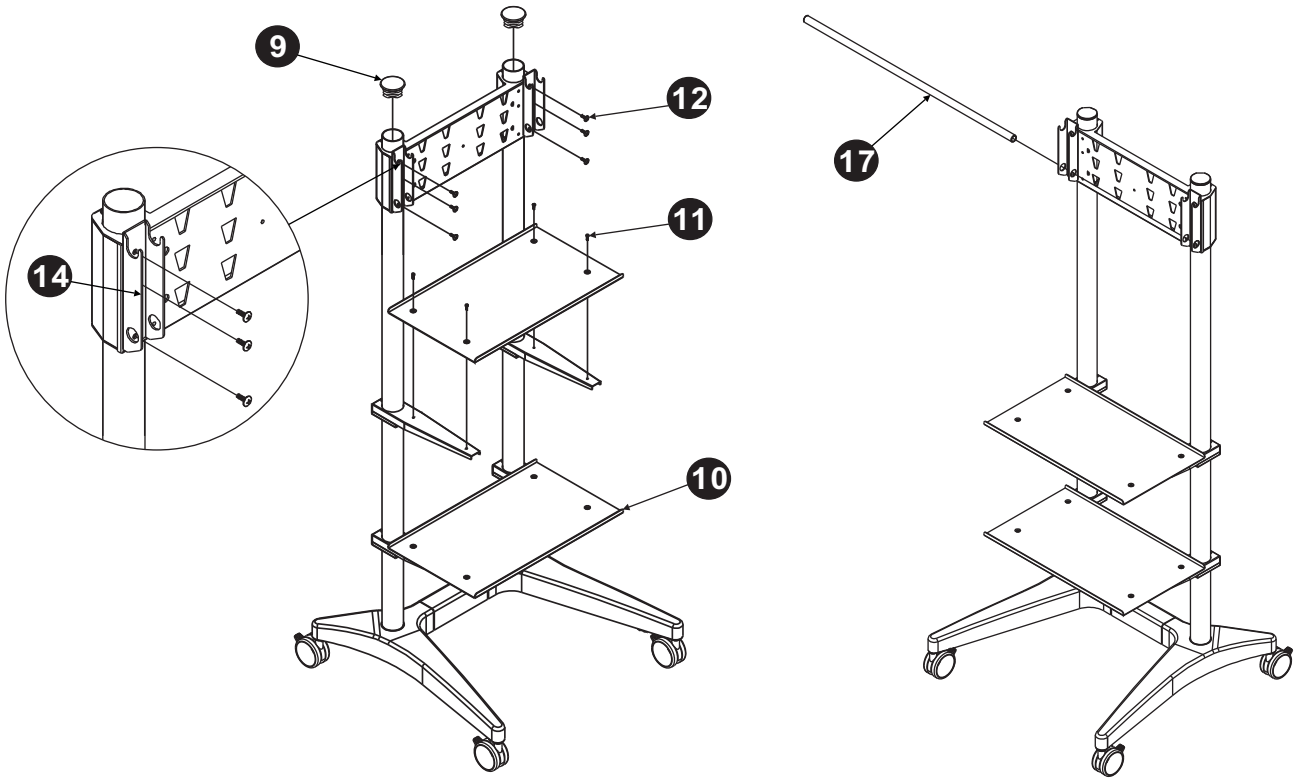
II.



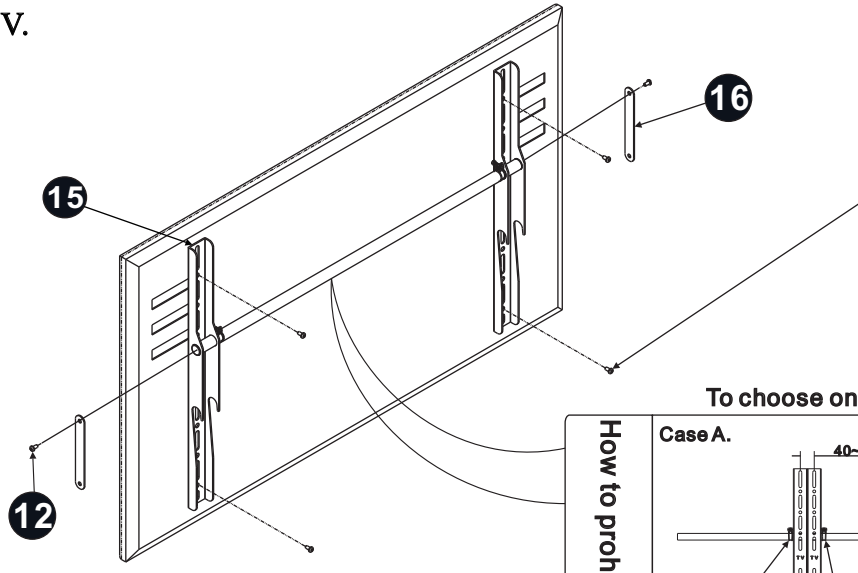
# Mobile Mounts

## Installation

III.

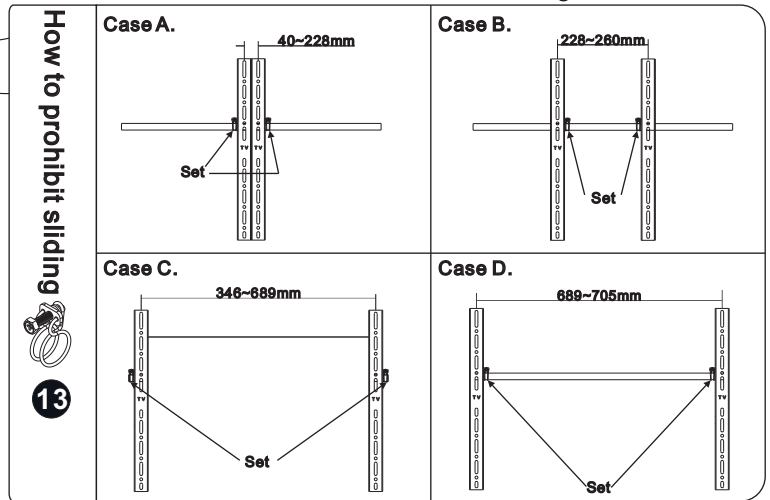


IV.



SELECT	
19+24+25	M4X30
19+25	M5X15
20+25	M5X30
12	M6X15
21	M6X30
22	M8X15
23	M8X40

To choose one case before installing TV side



# Mobile Mounts

## Installation

V.

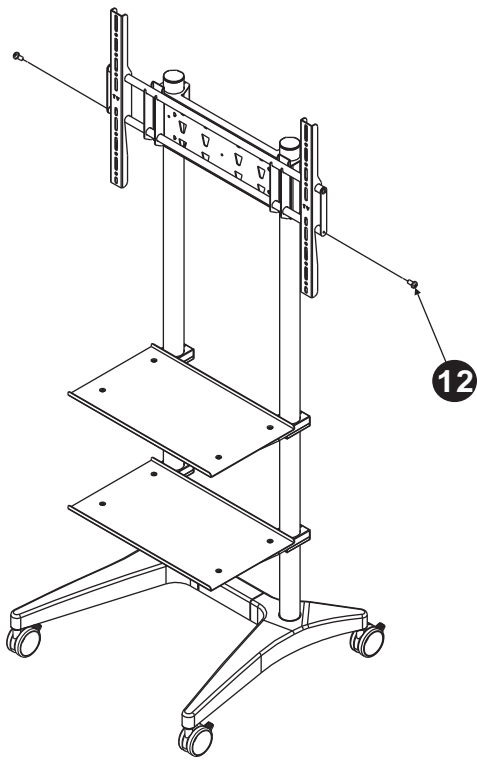
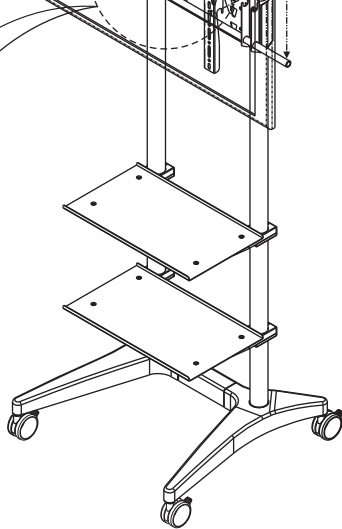
Hook on the main side

Decide which case show as below according to item II

How to prohibit sliding **13**

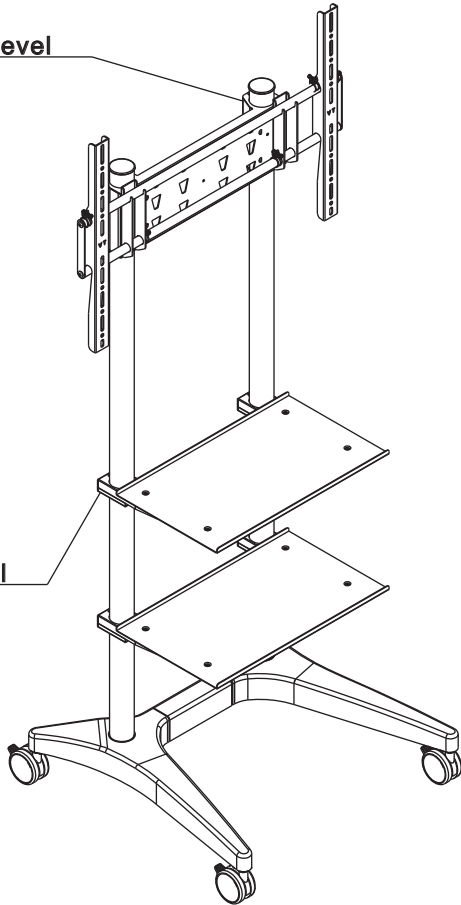
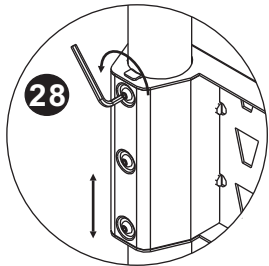
Case B OR D  
Set outside

Case A OR C  
Set inside



VI.

Adjustable Level



Adjustable Level

